

DESCRIPTION

The Arena Pro series LED lighting solution by Ephesus takes sports lighting to a whole new level. Our innovative optics and advanced colortuning technology can create a warmer, richer light ideal for basketball and other court sports, or a cooler light more desirable for hockey. What's more, the Arena Pro technology can easily be adjusted to deliver picture perfect lighting for any other special event your arena hosts.

| | | |
|-------------|--|------|
| Catalog # | | Type |
| Project | | |
| Comments | | Date |
| Prepared by | | |

SPECIFICATION FEATURES

Construction

Solid-state design means no moving parts and nothing to wear out or replace, providing maintenance-free operation for hundreds of thousands of hours.

Color Temperature Tuning Technology

Tunable color temperature designed for multi-use facilities that desire a single light. Reduces the need for filtering required for HD broadcasting and results in the clearest picture while maintaining foot candles delivered and simplifying setup for camera crews.

Electrical

Ultra-low EMI noise generation eliminates interference with surrounding electrical systems.

Enhanced Lensing and Options

More precise optics reduce stray light and allow for dramatic light cutoff (per NBA specifications). Optional scoreboard visor available.

Exceeds National HDTV Requirements

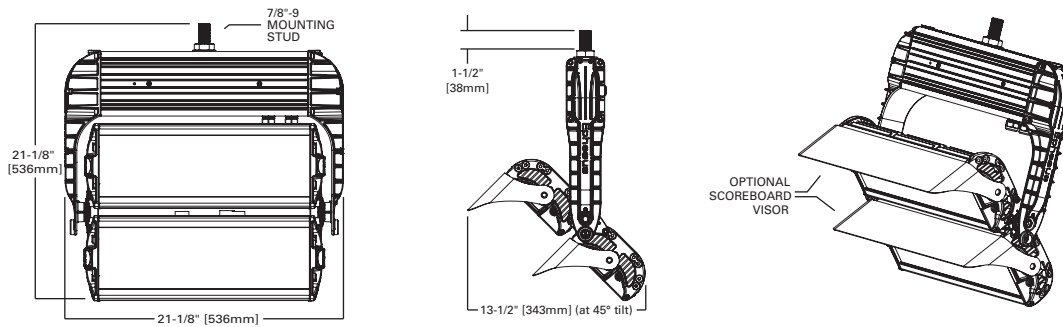
Zero flicker up to 8K frames per second for super-slow motion recording. High TLCI and CRI for more true-to-life colorability and fan experience effects.



ARENA PRO SERIES

SPORTS LIGHTING

DIMENSIONS



ARENA PRO 300 SHOWN WITH CENTER STUD MOUNTING OPTION



CERTIFICATION DATA

IP66 Rated
RoHS Compliant

ENERGY AND PERFORMANCE DATA

| | Arena Pro 600 | Arena Pro 300 | Arena Pro 190 |
|--|--|----------------------|---------------------|
| Lumen Output | 59,000 | 30,000 | 16,500 |
| System Wattage | 600 | 300 | 190 |
| Input Voltage | Low voltage: 120-277 VAC High voltage: 347-480 VAC | | |
| L70 Hours | >225,000 hours | | |
| Operating Temperature Range | -40°C to +50°C | | |
| Surge (Common Mode / Differential Mode) | 120-277 VAC: 4 kV/2 kV 347-480 VAC: 6 kV/4 kV | | |
| IP Rating | IP66 | | |
| Color Temperature Tuning Range | 3500K-6500K | | |
| Effective Projected Area (EPA) (Aimed Down) ⁴ | 2.86 (sq. ft.) | 1.79 (sq. ft.) | 0.86 (sq. ft.) |
| Effective Projected Area (EPA) (Aimed Vertically) ⁴ | 4.15 (sq. ft.) | 2.67 (sq. ft.) | 1.74 (sq. ft.) |
| Approximate Weight | 47 lbs. (21.31 kgs.) | 31 lbs. (14.06 kgs.) | 18 lbs. (8.16 kgs.) |

- NOTES:
1. Unless otherwise indicated, specifications were obtained in a 25°C ambient test environment. Changes in options, features and conditions may result in slightly different performance specifications among fixtures.
 2. Weight may vary depending on mounting bracket selection.
 3. Pure power is required to ensure proper function and lifetime of Eaton fixtures. Prior to installation, an analysis should be performed to verify site power meets these requirements.
 - High frequency voltage should be below -40dB or .01V between 3KHz and 100KH.
 - High frequency current should be below -50dB or .019A between 3KHz and 100KH.
 If the power does not meet these criteria, waveform correction technology should be used to condition the power. Surge protection alone is not adequate. Eaton will not be liable for damage to fixtures due to poor power quality. Consult your lighting representative at Eaton for more informaton.
 4. If aiming orientation is uncertain, design with "worst case" value. Contact Ephesus for more information.
 5. AirBurst requires <100m line of sight to transmitter.
 6. Fixtures specifying the 5SN optic will also come standard with scoreboard visors.

ORDERING INFORMATION

Arena Pro 600

Sample Number: VS-M-256-750-5-VL-CT-CO6-S-AM

| Product Code | Mounting | LEDs | Drive Current | Optics | Voltage | CCT | Cabling | Lens | Control |
|--------------|---------------------------------|---------|---------------|--|---|-----------------|---------|---------------------|---|
| VS=Arena Pro | M=Multi-mount CS=Center Stud | 256=256 | 750=750 | 5=5 5N=5N 5W=5W 5EL=5EL 5EW=5EW 5SN=5 Super Narrow ⁶ | VL=Low Voltage (120-277VAC) VH=High Voltage (347-480VAC) | CT=Color Tuning | CO6=6" | S=Solite G=Glass | LB=LandBurst wired DMX, Dual XLR Connector LBO=LandBurst wired DMX, Single Cable AB=AirBurst wireless DMX, No Cable |

Arena Pro 300

Sample Number: VS-M-128-750-5-VL-CT-CO6-S-AM

| Product Code | Mounting | LEDs | Drive Current | Optics | Voltage | CCT | Cabling | Lens | Control |
|--------------|---|---------|---------------|--|---|-----------------|---------|---------------------|---|
| VS=Arena Pro | M=Multi-mount CS=Center Stud BH=Bull Horn | 128=128 | 750=750 | 5=5 5N=5N 5W=5W 5EL=5EL 5EW=5EW 5SN=5 Super Narrow ⁶ | VL=Low Voltage (120-277VAC) VH=High Voltage (347-480VAC) | CT=Color Tuning | CO6=6" | S=Solite G=Glass | LB=LandBurst wired DMX, Dual XLR Connector LBO=LandBurst wired DMX, Single Cable AB=AirBurst wireless DMX, No Cable |

Arena Pro 190

Sample Number: VS-M-64-750-5-VL-CT-CO6-S-AM

| Product Code | Mounting | LEDs | Drive Current | Optics | Voltage | CCT | Cabling | Lens | Control |
|--------------|---|-------|---------------|---|---|-----------------|---------|---------------------|---|
| VS=Arena Pro | M=Multi-mount CS=Center Stud BH=Bull Horn | 64=64 | 900=900 | 5=5 5N=5N 5W=5W 5EL=5EL 5EW=5EW | VL=Low Voltage (120-277VAC) VH=High Voltage (347-480VAC) | CT=Color Tuning | CO6=6" | S=Solite G=Glass | LB=LandBurst wired DMX, Dual XLR Connector LBO=LandBurst wired DMX, Single Cable AB=AirBurst wireless DMX, No Cable |



Eaton's Ephesus Lighting
 125 East Jefferson Street
 Syracuse, NY 13202
 P: 800-573-3600
 www.eaton.com/ephesus

Specifications and dimensions subject to change without notice.