

## DESCRIPTION

One of the most advanced additions to sports lighting on the market, the Prism Series gives you exciting lighting options for your venue. Flood your playing surface with one or multiple colors for holidays, charity events or to create exciting fan experience effects. With full-spectrum RGB capabilities, the possibilities are endless.

Catalog #		Type
Project		
Comments		Date
Prepared by		

## SPECIFICATION FEATURES

### Construction

Solid-state design means no moving parts and nothing to wear out or replace, providing maintenance-free operation for hundreds of thousands of hours.

### Optics

Custom-engineered optics direct light precisely where needed while minimizing glare.

### HDTV Optimized

Exceeds national HDTV requirements. Zero flicker up to 8K frames per second for super-slow motion recording.

### Customization

Multiple control options available for operational flexibility and fan experience effects.

### Electrical

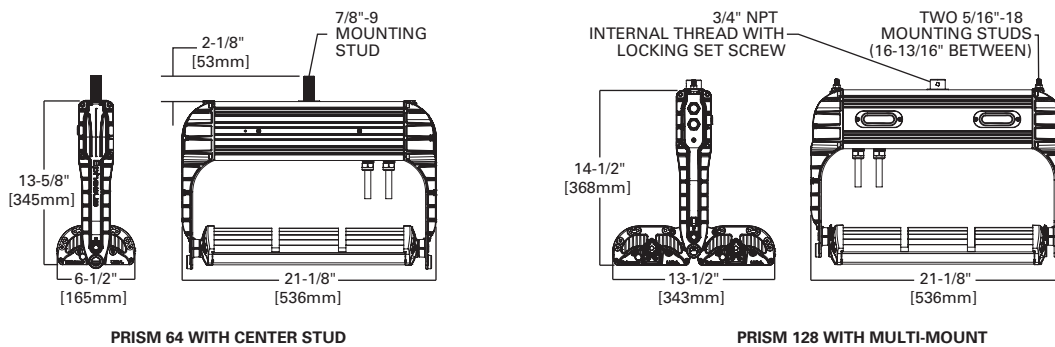
Ultra-low EMI noise generation eliminates interference with surrounding electrical systems.



## PRISM SERIES

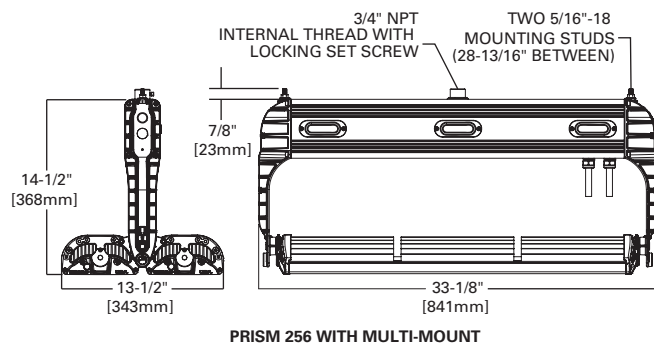
SPORTS LIGHTING

## DIMENSIONS



PRISM 64 WITH CENTER STUD

PRISM 128 WITH MULTI-MOUNT



PRISM 256 WITH MULTI-MOUNT



### CERTIFICATION DATA

IP66 Rated  
RoHS Compliant

## ENERGY AND PERFORMANCE DATA

	Prism 256	Prism 128	Prism 64
<b>Lumen Output by Color</b>			
<b>Total</b>	21,500	10,750	5,380
<b>Red</b>	5,090	2,545	1,275
<b>Green</b>	6,580	3,290	1,645
<b>Blue</b>	3,280	1,640	820
<b>System Wattage</b>	460	230	115
<b>Input Voltage</b>	Low voltage: 120-277 VAC, High voltage: 347-480 VAC		
<b>Surge</b> (Common Mode / Differential Mode)	120-277 VAC: 4 kV/2 kV, 347-480 VAC: 6 kV/4 kV		
<b>Effective Projected Area (EPA) (Aimed Down)</b> <sup>2</sup>	2.86 (sq. ft.)	1.79 (sq. ft.)	0.86 (sq. ft.)
<b>Effective Projected Area (EPA) (Aimed Vertically)</b> <sup>2</sup>	4.15 (sq. ft.)	2.67 (sq. ft.)	1.74 (sq. ft.)
<b>Operating Temperature Range</b>	-40°C to +45°C		
<b>L70 Hours</b>	>225,000 hours		
<b>IP Rating</b>	IP66		
<b>Approximate Weight</b>	47 lbs. (21.31 kgs.)	31 lbs. (14.06 kgs.)	18 lbs. (8.16 kgs.)

## NOTES:

- The specifications listed were obtained under optimal testing conditions. Changes in options, features and conditions may result in slightly different performance specifications among fixtures.
- If aiming orientation is uncertain, design with "worst case" value. Contact Ephesus for more information.
- Pure power is required to ensure proper function and lifetime of Eaton fixtures. Prior to installation, an analysis should be performed to verify site power meets these requirements.
  - High frequency voltage should be below -40dB or .01V between 3KHZ and 100KH.
  - High frequency current should be below -50dB or .019A between 3KHz and 100KHz.
- If the power does not meet these criteria, waveform correction technology should be used to condition the power. Surge protection alone is not adequate. Eaton will not be liable for damage to fixtures due to poor power quality. Consult your lighting representative at Eaton for more information.
- AirBurst indoor requires <100m line of sight to transmitter.

## ORDERING INFORMATION

## Prism 256

Sample Number: PR-M-256-460-5N-CL-C06-S-LB

Product Code	Mounting	LEDs	Wattage	Optics	Voltage	Cabling	Lens	Control
PR=Prism	M=Multi-mount CS=Center Stud	256=256	460=460	5=5 5N=5N 5W=5W 5EL=5EL 5EW=5EW	VL=Low Voltage (120-277VAC) VH=High Voltage (347-480VAC)	CO6=6"	S=Solite G=Glass	LB=LandBurst wired DMX, Dual XLR Connector LBO=LandBurst wired DMX, Single Cable AB=AirBurst wireless DMX, No Cable <sup>5</sup>

## Prism 128

Sample Number: PR-M-128-230-5N-VL-C06-S-LB

Product Code	Mounting	LEDs	Wattage	Optics	Voltage	Cabling	Lens	Control
PR=Prism	M=Multi-mount CS=Center Stud BH=Bull Horn	128=128	230=230	5=5 5N=5N 5W=5W 5EL=5EL 5EW=5EW	VL=Low Voltage (120-277VAC) VH=High Voltage (347-480VAC)	CO6=6"	S=Solite G=Glass	LB=LandBurst wired DMX, Dual XLR Connector LBO=LandBurst wired DMX, Single Cable AB=AirBurst wireless DMX, No Cable <sup>5</sup>

## Prism 64

Sample Number: PR-CS-64-115-5N-VL-C06-S-LB

Product Code	Mounting	LEDs	Wattage	Optics	Voltage	Cabling	Lens	Control
PR=Prism	M=Multi-mount CS=Center Stud BH=Bull Horn	64=64	115=115	5=5 5N=5N 5W=5W 5EL=5EL 5EW=5EW	VL=Low Voltage (120-277VAC) VH=High Voltage (347-480VAC)	CO6=6"	S=Solite G=Glass	LB=LandBurst wired DMX, Dual XLR Connector LBO=LandBurst wired DMX, Single Cable AB=AirBurst wireless DMX, No Cable <sup>5</sup>