

DESCRIPTION

The All Field series is the ideal solution for professional caliber outdoor sports lighting with features designed with municipal, high school, collegiate and semi-professional outdoor sports venues in mind. Offering versatility for any outdoor sport including football, soccer, baseball, lacrosse and field hockey, the All Field luminaire delivers maintenance-free, professional sports lighting with a great return on investment.

Catalog #		Type
Project		
Comments		Date
Prepared by		

SPECIFICATION FEATURES

Construction

Solid-state design means no moving parts and nothing to wear out or replace, providing maintenance-free operation for hundreds of thousands of hours.

Optics

Custom-engineered optics direct light precisely where needed while minimizing glare.

Feedback

Telemetry to monitor health and status of each light is enabled through AirMesh control system capabilities.

Customization

Multiple control options available for operational flexibility and fan experience effects.

Electrical

Ultra-low EMI noise generation eliminates interference with surrounding electrical systems.

Finish

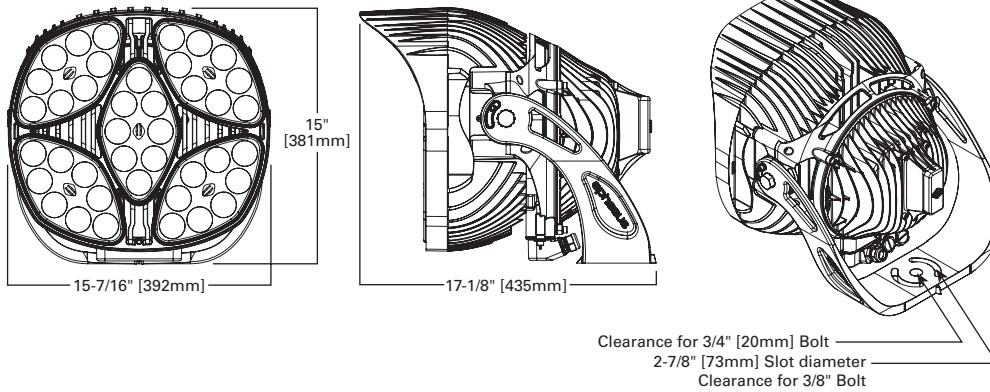
Rugged, weather-tight design ensures durability even in harsh environments.



**ALL FIELD
SERIES**

SPORTS LIGHTING

DIMENSIONS



CERTIFICATION DATA

IP66 Rated
RoHS Compliant
DesignLights Consortium® Qualified*

EPA

Effective Projected Area (Sq. Ft.): 1.4

SHIPPING DATA

Approximate Net Weight:
45 lbs. (20.41 kgs.)

ORDERING INFORMATION

Sample Number: AF-550-2-VL-57-BLK-AM

Series ^{1,2}	Model	Optics	Voltage	CCT	Fixture Color	Controls
AF=All Field	400=400 550=550 750=750	2=NEMA2 3=NEMA3 4=NEMA4 5=NEMA5 6=NEMA6	VH=High Voltage VL=Low Voltage	40=4000K 57=5700K	WH=White BLK=Black	AM=All Field AirMesh LB10=All Field LandBurst 0-10V ³ LB=All Field LandBurst DMX NC=No Controls - ON/OFF ⁴

ENERGY AND PERFORMANCE DATA

	All Field 400	All Field 550	All Field 750
Lumen Output	>48,000	>64,000	>85,000
System Wattage	400	550	750
Input Voltage (High Voltage)	277-480VAC	277-480VAC	277-480VAC
Input Voltage (Low Voltage)	120-240VAC	120-240VAC	120-240VAC
L70 Hours	>160,000 at 25°C	>160,000 at 25°C	>160,000 at 25°C
Operating Temperature Range	-40°C to 55°C	-40°C to 55°C	-40°C to 55°C
Surge (Common Mode / Differential Mode)	6kV	6kV	6kV
IP Rating	IP66	IP66	IP66
NEMA Rating	NEMA 4X	NEMA 4X	NEMA 4X
Effective Projected Area (EPA)	1.4 (sq. ft.)	1.4 (sq. ft.)	1.4 (sq. ft.)
Approximate Weight ⁵	45 lbs. (20.45 kgs.)	45 lbs. (20.45 kgs.)	45 lbs. (20.45 kgs.)

- NOTES:**
- DesignLights Consortium® Qualified. Refer to www.designlights.org Qualified Products under Family Models for details.
 - The specifications listed were obtained under optimal testing conditions. Changes in options, features and conditions may result in slightly different performance specifications among fixtures.
 - To provide full range dimming capability across a wide array of 0-10V dimming systems, the Landburst 0-10V controls provide 1%-100% dimming across a control voltage input range of 1V to 7.5V. Full dimming curve is available upon request. Eaton cannot guarantee compatibility with all dimming control systems from all manufacturers. To ensure compatibility, please consult our control compatibility reference guide or contact Eaton for further assistance.
 - If the "no controls" option is selected, note that it is not possible to install a control system at a later time.
 - Weight may vary depending on mounting bracket selection.