

DESCRIPTION

This Prism RGBA color LED luminaire takes the fan experience to a whole new level. This unique fixture offers unparalleled capabilities to use full-spectrum color flooding to create thrilling, custom effects to make the excitement of the lighting second only to that of the game. The entertainment possibilities are endless. Designed for outdoor use as well, the Prism RGBA is also suitable for architectural and façade lighting in addition to sports lighting applications.

Catalog #		Type
Project		
Comments		Date
Prepared by		

SPECIFICATION FEATURES

Construction

Solid-state design means no moving parts and nothing to wear out or replace, providing maintenance-free operation for hundreds of thousands of hours.

Optics

Custom-engineered optics direct light precisely where needed while minimizing glare.

Controllability

Unique design allows the fixture to produce any color light and the ability to create exciting fan experience effects. Use for charity events, sponsorships to thrilling player introductions or half-time shows.

Electrical

Ultra-low EMI noise generation eliminates interference with surrounding electrical systems.

Finish

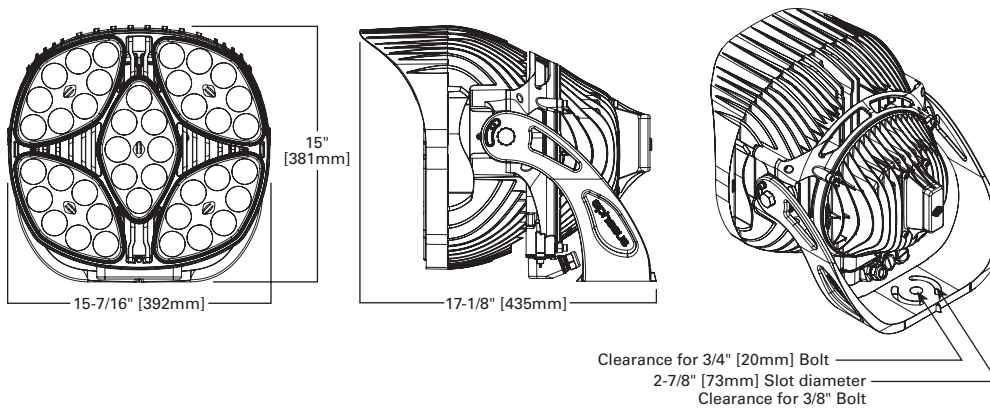
Rugged, weather-tight design ensures durability even in harsh environments.



PRISM RGBA

SPORTS LIGHTING

DIMENSIONS



CERTIFICATION DATA

IP66 Rated
 RoHS Compliant

EPA

Effective Projected Area (Sq. Ft.): 1.4

SHIPPING DATA

Approximate Net Weight:
 45 lbs. (20.41 kgs.)

ORDERING INFORMATION

Sample Number: PM-RGBA-2-VH-BLK-LB

Model	Colors	Optics	Voltage	Fixture Color	Controls
PM=Prism	RGBA=Red/Green/Blue/Amber	2=NEMA2 3=NEMA3 4=NEMA4 5=NEMA5 6=NEMA6	VH=High Voltage VL=Low Voltage	BLK=Black WHT=White	LB=LandBurst (wired DMX) AM=AirMesh

ENERGY AND PERFORMANCE DATA

Lumen Output by Color	
Red	10,840
Green	12,900
Blue	2,450
Amber	10,800
System Wattage	660
Input Voltage (High Voltage)	277-480VAC
Input Voltage (Low Voltage)	120-240VAC
Operating Temperature Range	-40°C to 55°C
Surge (Common Mode / Differential Mode)	6kV
IP Rating	IP66
NEMA Rating	NEMA 4X
Effective Projected Area (EPA)	1.4 (sq. ft.)
Approximate Weight	45 lbs. (20.45 kgs.)

NOTES:

1. The specifications listed were obtained under optimal testing conditions. Changes in options, features and conditions may result in slightly different performance specifications among fixtures.
2. Weight may vary depending on mounting bracket selection.