

DESCRIPTION

The Lumadapt 8 LED luminaire, integral to the Lumadapt LED lighting system, delivers industry-first features and performance. Designed for sports and entertainment venues, Lumadapt 8 provides color temperature tuning, integrated RGBA color flooding, and beam tuning while capturing health and performance data which is stored securely in the data cloud. Turn on the features you need, as you need them, and as additional capabilities are offered to always keep your facility's lighting on the cutting edge.

| | | | |
|--------------------|--|-------------|--|
| Catalog # | | Type | |
| Project | | | |
| Comments | | Date | |
| Prepared by | | | |

SPECIFICATION FEATURES

Beam tuning optics

Dynamically controls light distribution from fixture's light sources for wider and narrower beams.

Color temperature tuning

Dynamically adjust between warmer and cooler tones for different sports and events.

Integrated color

Optional integrated RGBA color capabilities for color flooding, scenes and effects.

Feedback and monitoring

Individual fixture and system level data is stored securely in the data cloud for review of performance and health.

Easy field commissioning

Integrated Near Field Communication (NFC) in each fixture allows for communication to unpowered fixtures to set CCT, beam angle and other parameters on the job site.

Mounting options

A variety of mounting options combined with 360 degree mounting orientation provides flexibility for any installation.

Construction

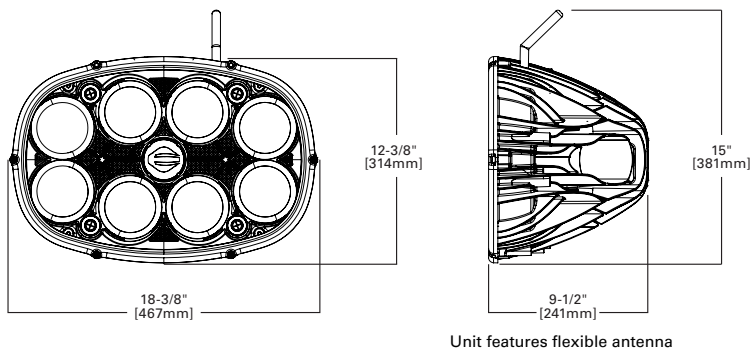
Solid state design means no moving parts to wear out or replace, providing maintenance-free operation.



LUMADAPT 8

SPORTS LIGHTING

DIMENSIONS



CERTIFICATION DATA
IP66 Rated

EPA
Effective Projected Area (Sq. Ft.): 1.4

SHIPPING DATA
Approximate Net Weight:
28 lbs. (12.7 kgs.)

ORDERING INFORMATION

Sample Number: EPH-G8-HV-N-PC-BLK-IP

| Product Line | Model | Voltage | Optics | LED | Fixture Color | Controls |
|--------------|---------------|------------------------------------|----------|-------------------------------|------------------------|----------|
| EPH=Ephesus | G8=Lumadapt 8 | HV=high voltage LV= low voltage | N=Narrow | PC=color tunable white & RGBA | BLK=black WHT=white | IP=IP |

SPECIFICATION AND PERFORMANCE DATA

| | LUMADAPT 8 |
|---|---|
| Lumen output | up to 50,000 lumens |
| Input wattage / power supply output wattage | 440 watts / 400 watts |
| Input voltage (high voltage) | 277-480VAC, 50/60 Hz |
| Input voltage (low voltage) | 120-240VAC, 50/60 Hz |
| CCT Range | 3000K-6500K (4000K-5400K maintained lumens) |
| Color lighting | Integrated RGBA |
| Lumen Output by Color | |
| Red | 325 |
| Green | 1950 |
| Blue | 277 |
| Amber | 1395 |
| CRI | >= 80 CRI |
| TLCI | >70 TLCI (2) |
| Dimming range | Full range; 1-100% |
| Beam angle | Equivalent to NEMA 3-5 |
| Operating temperature range | -40 degrees C to +50 degrees C |
| Usage | Indoor/outdoor |
| Mounting options (3G rated) | Pendant, yoke |
| Mounting angle | 360 degrees / full range |
| IP rating | IP66 |
| Electrical certifications | UL 8750, UL 1598 |
| NEMA rating | NEMA 4X |
| Surge | 10kV common mode / 4kV differential mode |
| Effective Projected Area | 1.4 ft sq |
| Approximate Weight | 28 lbs (3) |

NOTES:

1. For proper functionality, Lumadapt 8 fixtures must be sold with other Lumadapt system components.
2. Higher TLCI fixtures available upon request.
3. Mounting options and hardware may vary and affect final fixture weight.
4. Specifications are subject to change without notice.