

DESCRIPTION

The Arena Pro series LED lighting solution by Ephesus takes sports lighting to a whole new level. Our innovative optics and advanced colortuning technology can create a warmer, richer light ideal for basketball and other court sports, or a cooler light more desirable for hockey. What's more, the Arena Pro technology can easily be adjusted to deliver picture perfect lighting for any other special event your arena hosts.

Catalog #		Type
Project		
Comments		Date
Prepared by		

SPECIFICATION FEATURES

Construction

Solid-state design means no moving parts and nothing to wear out or replace, providing maintenance-free operation for hundreds of thousands of hours.

Color Temperature Tuning Technology

Tunable color temperature designed for multi-use facilities that desire a single light. Reduces the need for filtering required for HD broadcasting and results in the clearest picture while maintaining foot candles delivered and simplifying setup for camera crews.

Electrical

Ultra-low EMI noise generation eliminates interference with surrounding electrical systems.

Enhanced Lensing and Options

More precise optics reduce stray light and allow for dramatic light cutoff (per NBA specifications). Optional scoreboard visor available.

Exceeds National HDTV Requirements

Zero flicker up to 8K frames per second for super-slow motion recording. High TLCI and CRI for more true-to-life colors. Ability and fan experience effects.

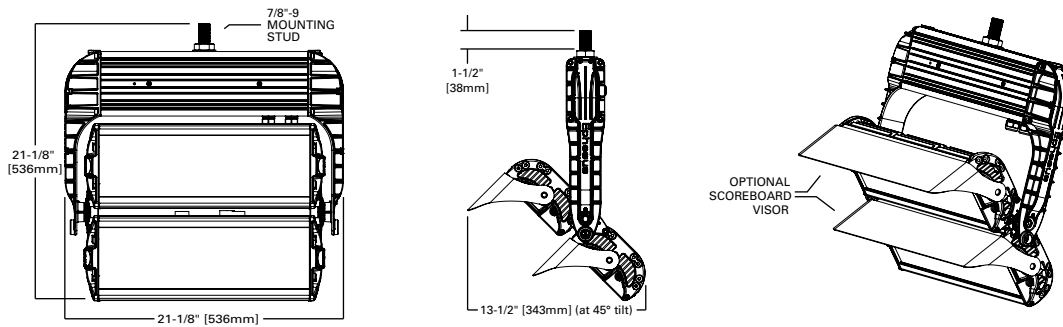


ARENA PRO SERIES

SPORTS LIGHTING



DIMENSIONS



ARENA PRO 300 SHOWN WITH CENTER STUD MOUNTING OPTION

ENERGY AND PERFORMANCE DATA

	Arena Pro 600	Arena Pro 300	Arena Pro 190
Lumen Output	59,000	30,000	16,500
System Wattage	600	300	190
Input Voltage	Low voltage: 120-277 VAC High voltage: 347-480 VAC		
L70 Hours	>225,000 hours		
Operating Temperature Range	-40°C to +50°C		
Surge (Common Mode / Differential Mode)	120-277 VAC: 4 kV/2 kV 347-480 VAC: 6 kV/4 kV		
Color Temperature Tuning Range	3500K-6500K		
Effective Projected Area (EPA) (Aimed Down) ⁴	2.86 (sq. ft.)	1.79 (sq. ft.)	0.86 (sq. ft.)
Effective Projected Area (EPA) (Aimed Vertically) ⁴	4.15 (sq. ft.)	2.67 (sq. ft.)	1.74 (sq. ft.)
Approximate Weight	47 lbs. (21.31 kgs.)	31 lbs. (14.06 kgs.)	18 lbs. (8.16 kgs.)

- NOTES:
1. Unless otherwise indicated, specifications were obtained in a 25°C ambient test environment. Changes in options, features and conditions may result in slightly different performance specifications among fixtures.
 2. Weight may vary depending on mounting bracket selection.
 3. If aiming orientation is uncertain, design with "worst case" value. Contact Ephesus for more information.
 4. AirBurst requires <100m line of sight to transmitter.
 5. Fixtures specifying the 5SN optic will also come standard with scoreboard visors.

ORDERING INFORMATION

Arena Pro 600

Sample Number: VS-M-256-750-5-VL-CT-CO6-S-AM

Product Code	Mounting	LEDs	Drive Current	Optics	Voltage	CCT	Cabling	Lens	Control
VS=Arena Pro	M=Multi-mount CS=Center Stud	256=256	750=750	5=5 5N=5N 5W=5W 5EL=5EL 5EW=5EW 5SN=5 Super Narrow ⁶	VL=Low Voltage (120-277VAC) VH=High Voltage (347-480VAC)	CT=Color Tuning	CO6=6"	S=Solite G=Glass	LB=LandBurst wired DMX, Dual XLR Connector LBO=LandBurst wired DMX, Single Cable AB=AirBurst wireless DMX, No Cable

Arena Pro 300

Sample Number: VS-M-128-750-5-VL-CT-CO6-S-AM

Product Code	Mounting	LEDs	Drive Current	Optics	Voltage	CCT	Cabling	Lens	Control
VS=Arena Pro	M=Multi-mount CS=Center Stud BH=Bull Horn	128=128	750=750	5=5 5N=5N 5W=5W 5EL=5EL 5EW=5EW 5SN=5 Super Narrow ⁶	VL=Low Voltage (120-277VAC) VH=High Voltage (347-480VAC)	CT=Color Tuning	CO6=6"	S=Solite G=Glass	LB=LandBurst wired DMX, Dual XLR Connector LBO=LandBurst wired DMX, Single Cable AB=AirBurst wireless DMX, No Cable

Arena Pro 190

Sample Number: VS-M-64-750-5-VL-CT-CO6-S-AM

Product Code	Mounting	LEDs	Drive Current	Optics	Voltage	CCT	Cabling	Lens	Control
VS=Arena Pro	M=Multi-mount CS=Center Stud BH=Bull Horn	64=64	900=900	5=5 5N=5N 5W=5W 5EL=5EL 5EW=5EW	VL=Low Voltage (120-277VAC) VH=High Voltage (347-480VAC)	CT=Color Tuning	CO6=6"	S=Solite G=Glass	LB=LandBurst wired DMX, Dual XLR Connector LBO=LandBurst wired DMX, Single Cable AB=AirBurst wireless DMX, No Cable