

DESCRIPTION

One of the most advanced additions to sports lighting on the market, the Prism Series gives you exciting lighting options for your venue. Flood your playing surface with one or multiple colors for holidays, charity events or to create exciting fan experience effects. With full-spectrum RGB capabilities, the possibilities are endless.

Catalog #		Type
Project		
Comments		Date
Prepared by		

SPECIFICATION FEATURES

Construction

Solid-state design means no moving parts and nothing to wear out or replace, providing maintenance-free operation for hundreds of thousands of hours.

Optics

Custom-engineered optics direct light precisely where needed while minimizing glare.

HDTV Optimized

Exceeds national HDTV requirements. Zero flicker up to 8K frames per second for super-slow motion recording.

Customization

Multiple control options available for operational flexibility and fan experience effects.

Electrical

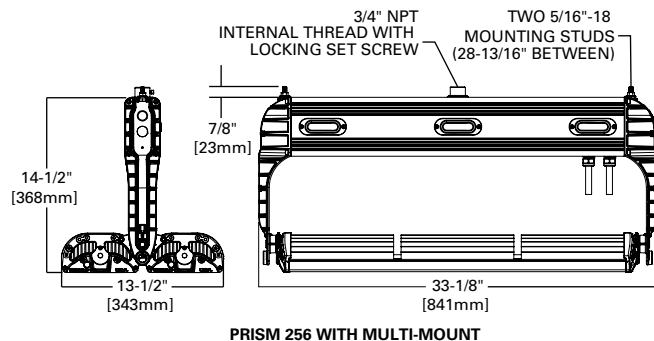
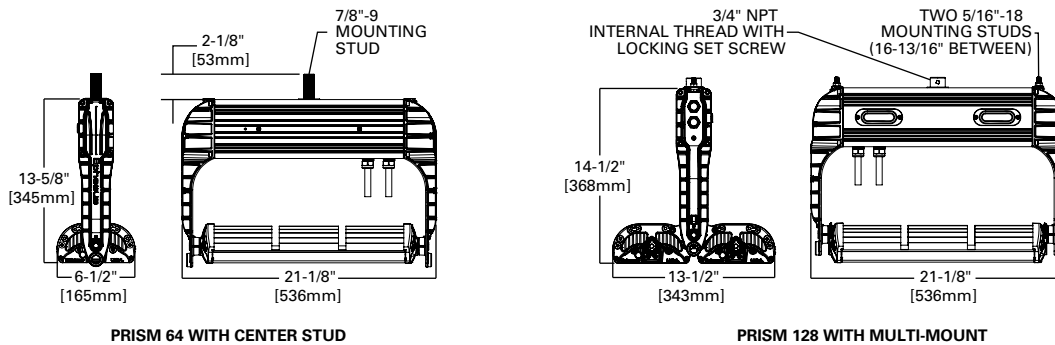
Ultra-low EMI noise generation eliminates interference with surrounding electrical systems.



PRISM SERIES

SPORTS LIGHTING

DIMENSIONS



ENERGY AND PERFORMANCE DATA

	Prism 256	Prism 128	Prism 64
Lumen Output by Color			
Total	21,500	10,750	5,380
Red	5,090	2,545	1,275
Green	6,580	3,290	1,645
Blue	3,280	1,640	820
System Wattage	460	230	115
Input Voltage	Low voltage: 120-277 VAC, High voltage: 347-480 VAC		
Surge (Common Mode / Differential Mode)	120-277 VAC: 4 kV/2 kV, 347-480 VAC: 6 kV/4 kV		
Effective Projected Area (EPA) (Aimed Down) ²	2.86 (sq. ft.)	1.79 (sq. ft.)	0.86 (sq. ft.)
Effective Projected Area (EPA) (Aimed Vertically) ²	4.15 (sq. ft.)	2.67 (sq. ft.)	1.74 (sq. ft.)
Operating Temperature Range	-40°C to +45°C		
L70 Hours	>225,000 hours		
IP Rating	IP66		
Approximate Weight	47 lbs. (21.31 kgs.)	31 lbs. (14.06 kgs.)	18 lbs. (8.16 kgs.)

NOTES:

1. The specifications listed were obtained under optimal testing conditions. Changes in options, features and conditions may result in slightly different performance specifications among fixtures.
2. If aiming orientation is uncertain, design with "worst case" value. Contact Ephesus for more information.
3. AirBurst indoor requires <100m line of sight to transmitter.

ORDERING INFORMATION

Prism 256

Sample Number: PR-M-256-460-5N-CL-C06-S-LB

Product Code	Mounting	LEDs	Wattage	Optics	Voltage	Cabling	Lens	Control
PR=Prism	M=Multi-mount CS=Center Stud	256=256	460=460	5=5 5N=5N 5W=5W 5EL=5EL 5EW=5EW	VL=Low Voltage (120-277VAC) VH=High Voltage (347-480VAC)	CO6=6"	S=Solite G=Glass	LB=LandBurst wired DMX, Dual XLR Connector LBO=LandBurst wired DMX, Single Cable AB=AirBurst wireless DMX, No Cable ³

Prism 128

Sample Number: PR-M-128-230-5N-VL-C06-S-LB

Product Code	Mounting	LEDs	Wattage	Optics	Voltage	Cabling	Lens	Control
PR=Prism	M=Multi-mount CS=Center Stud BH=Bull Horn	128=128	230=230	5=5 5N=5N 5W=5W 5EL=5EL 5EW=5EW	VL=Low Voltage (120-277VAC) VH=High Voltage (347-480VAC)	CO6=6"	S=Solite G=Glass	LB=LandBurst wired DMX, Dual XLR Connector LBO=LandBurst wired DMX, Single Cable AB=AirBurst wireless DMX, No Cable ³

Prism 64

Sample Number: PR-CS-64-115-5N-VL-C06-S-LB

Product Code	Mounting	LEDs	Wattage	Optics	Voltage	Cabling	Lens	Control
PR=Prism	M=Multi-mount CS=Center Stud BH=Bull Horn	64=64	115=115	5=5 5N=5N 5W=5W 5EL=5EL 5EW=5EW	VL=Low Voltage (120-277VAC) VH=High Voltage (347-480VAC)	CO6=6"	S=Solite G=Glass	LB=LandBurst wired DMX, Dual XLR Connector LBO=LandBurst wired DMX, Single Cable AB=AirBurst wireless DMX, No Cable ³